

Bourdon tube pressure gauge Edgewise panel design Models 214.11, 234.11

WIKA data sheet PM 02.07



Applications

- For gaseous and liquid media that are not highly viscous or crystallising and will not attack copper alloy parts
- Model 214.11: Measuring system Cu-alloy
Model 234.11: Measuring system stainless steel, also for aggressive media

Special features

- Panel mounting
- Ingress protection IP 42



Bourdon tube pressure gauge, edgewise panel design
model 214.11

Fig. top: NS 96 x 96, fig. bottom: NS 144 x 72

Description

Design

DIN 43700

Nominal size in mm

144 x 72, 144 x 144, 96 x 96, 72 x 72

Accuracy class

Class 1.0: NS 144 x 72, 144 x 144, 96 x 96

Class 1.6: NS 72 x 72, 96 x 96

Scale ranges

NS 144 x 72, 144 x 144, 96 x 96: 0 ... 0.6 to 0 ... 1000 bar

NS 72 x 72: 0 ... 0.6 to 0 ... 400 bar

or all other equivalent vacuum or combined pressure and vacuum ranges

Permissible temperature

Ambient: -20 ... +60 °C

Medium: +60 °C maximum (soft soldered)

+100 °C maximum (brazed)

Pressure limitation

- NS 144 x 72, 144 x 144, 96 x 96

Steady: Full scale value

Fluctuating: 0.9 x full scale value

Short time: 1.3 x full scale value

- NS 72 x 72

Steady: 3/4 x full scale value

Fluctuating: 2/3 x full scale value

Short time: Full scale value

Temperature effect

When the temperature of the measuring system deviates from the reference temperature (+20 °C):

max. $\pm 0.4\%$ / 10 K of full scale value

Ingress protection

IP 42 per EN 60529 / IEC 529

Standard version

Process connection

Cu-alloy (> 100 bar stainless steel 316L),
lower back mount (LBM)

NS 144 x 72: G ½ B (male), 17 mm flats

NS 144 x 144, 96 x 96: G ½ B (male), 22 mm flats

Centre back mount (CBM)

NS 72 x 72: G ¼ B (male), 14 mm flats

Pressure element

< 100 bar: Cu-alloy, C-type, soft soldered

≥ 100 bar: Stainless steel 316L, helical or spiral type, brazed

Movement

Cu-alloy, wear parts argentan

Dial

Aluminium, white, black lettering

NS 72 x 72 and 96 x 96 with pointer stop pin

Pointer

Aluminium, black

Case / Chassis (DIN 43700)

NS 144 x 72:

Case, steel, black

Chassis, steel, galvanised

NS 72 x 72, 96 x 96, 144 x 144:

Case, steel, galvanised

Basic case

Plastic

Window

Instrument glass

Panel frame

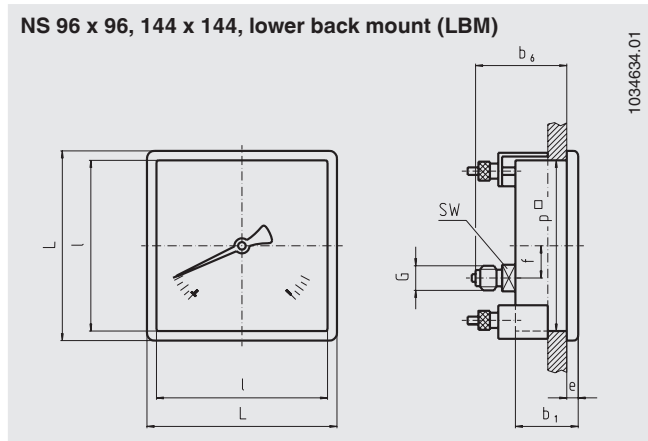
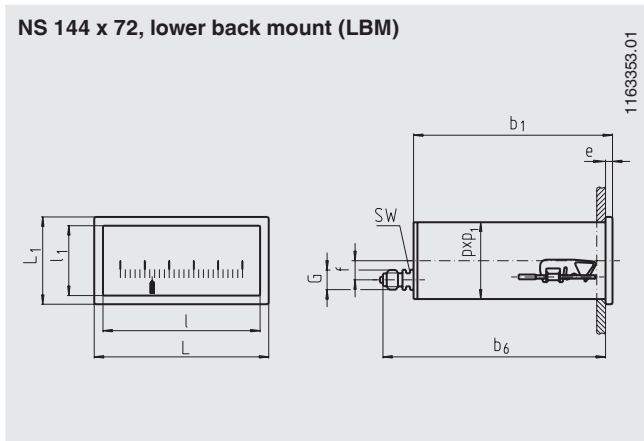
Steel, black, narrow, snap-fit

Options

- Other process connection
- Measuring system stainless steel 316L (model 234.11)
- Duplex measuring system
 - with NS 144 x 72
 - with NS 96 x 96: max. 60 bar
- Wide panel frame
- Switch contacts (see data sheet AC 08.01)

Dimensions in mm

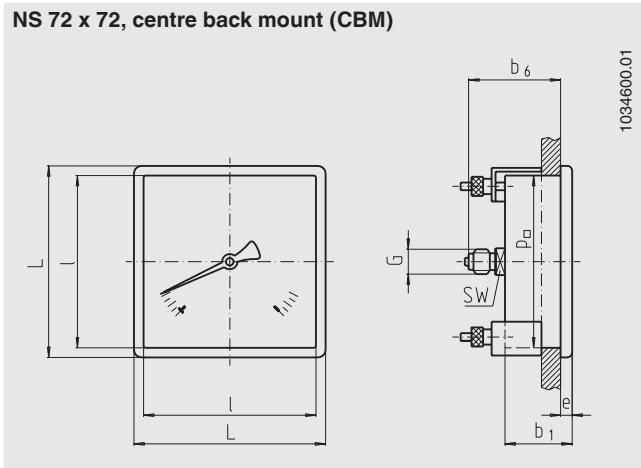
Standard version



NS	Dimensions in mm											Weight in kg	
	b ₁	b ₆	e	f	G	L	L ₁	l	l ₁	p x p ₁	p□		SW
144 x 72	168	197	8	18	G ½ B	144	72	134	62	138 x 67	-	17	1.50
96 x 96	44	72	6	30	G ½ B	96	-	88	-	-	90	22	0.60
144 x 144	46.5	72	8	30	G ½ B	144	-	134	-	-	136	22	1.25

Process connection per EN 837-1 / 7.3

NS 72 x 72, centre back mount (CBM)



NS	Dimensions in mm												Weight in kg
	b ₁	b ₆	e	f	G	L	L ₁	l	l ₁	p x p ₁	p _□	SW	
72 x 72	29	42	6	-	G 1/4 B	72	-	62	-	-	66	14	0.30

Process connection per EN 837-1 / 7.3

Ordering information

Model / Nominal size / Scale range / Connection size / Connection location / Options

© 2008 WIKA Alexander Wiegand SE & Co. KG, all rights reserved.
 The specifications given in this document represent the state of engineering at the time of publishing.
 We reserve the right to make modifications to the specifications and materials.



WIKAL Alexander Wiegand SE & Co. KG
 Alexander-Wiegand-Straße 30
 63911 Klingenberg/Germany
 Tel. (+49) 9372/132-0
 Fax (+49) 9372/132-406
 E-mail info@wika.de
 www.wika.de